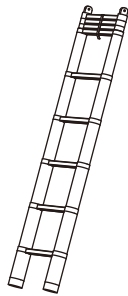
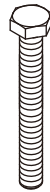


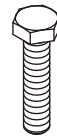
Ax1



Bx1



Cx4



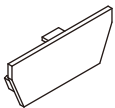
Dx8



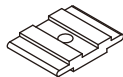
Ex12



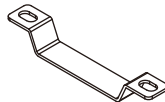
Fx4



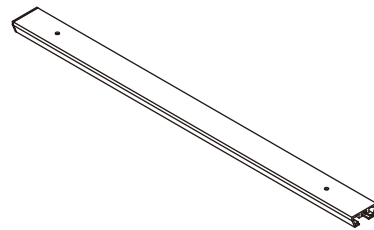
Gx4



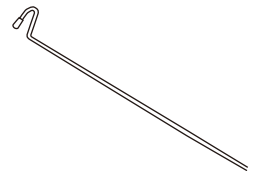
Hx8



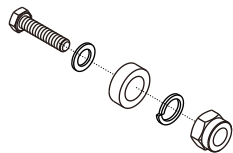
Jx4



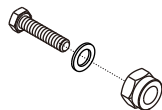
Kx2



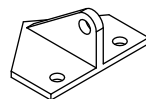
Lx8



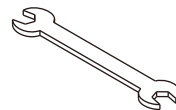
Mx2



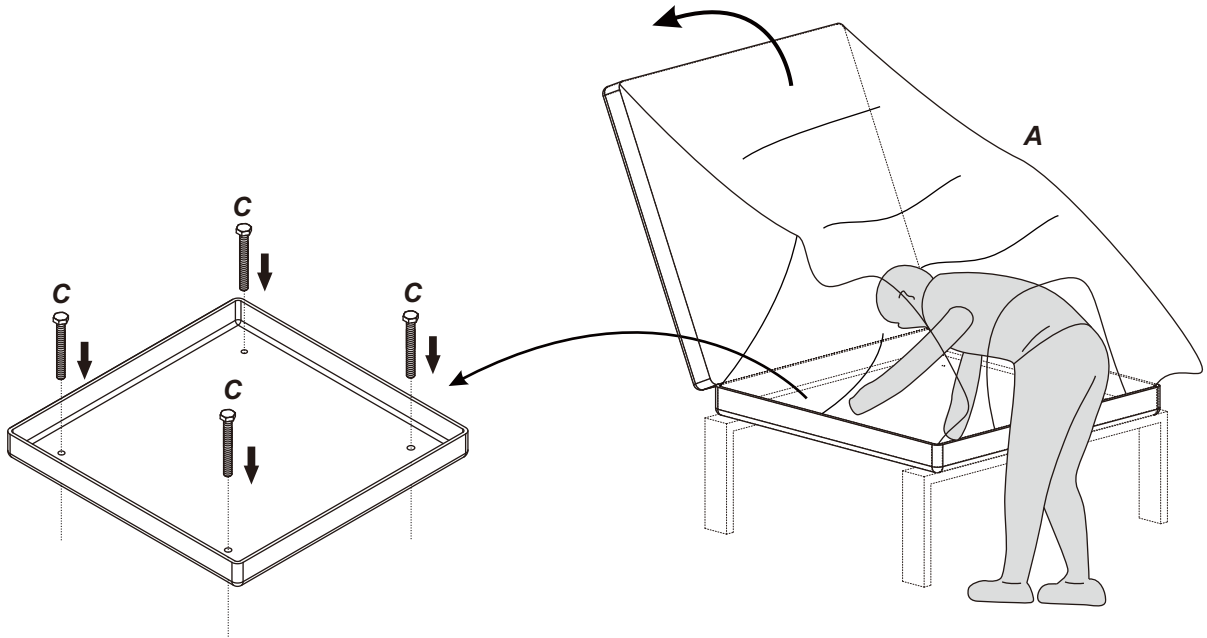
Nx4



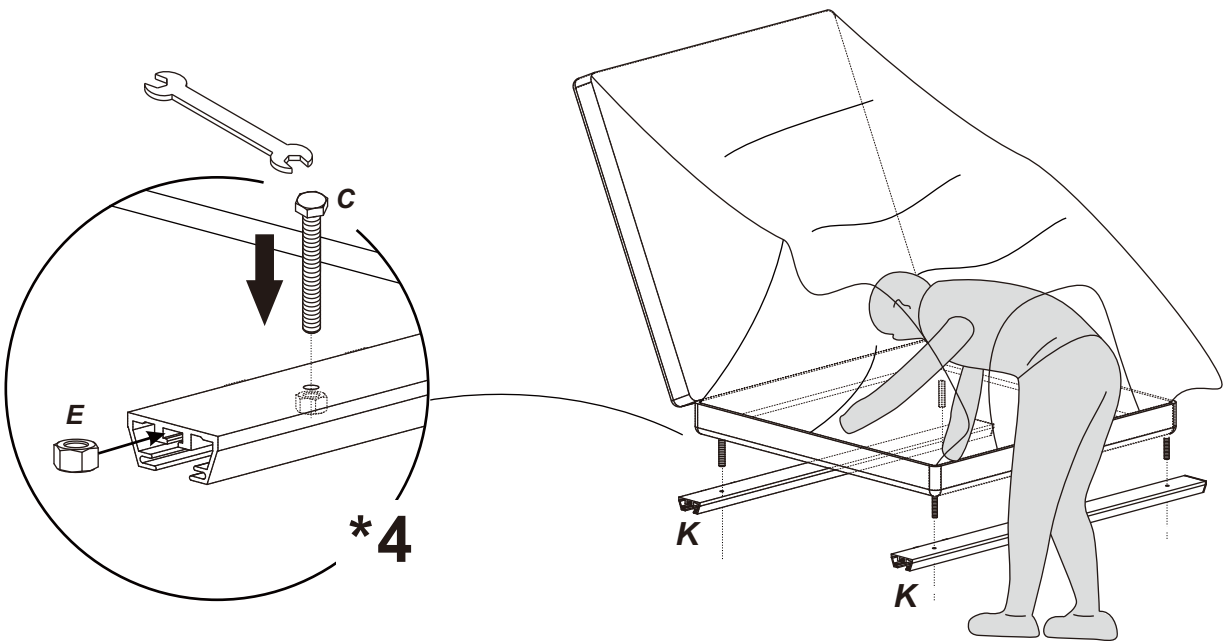
Ox2



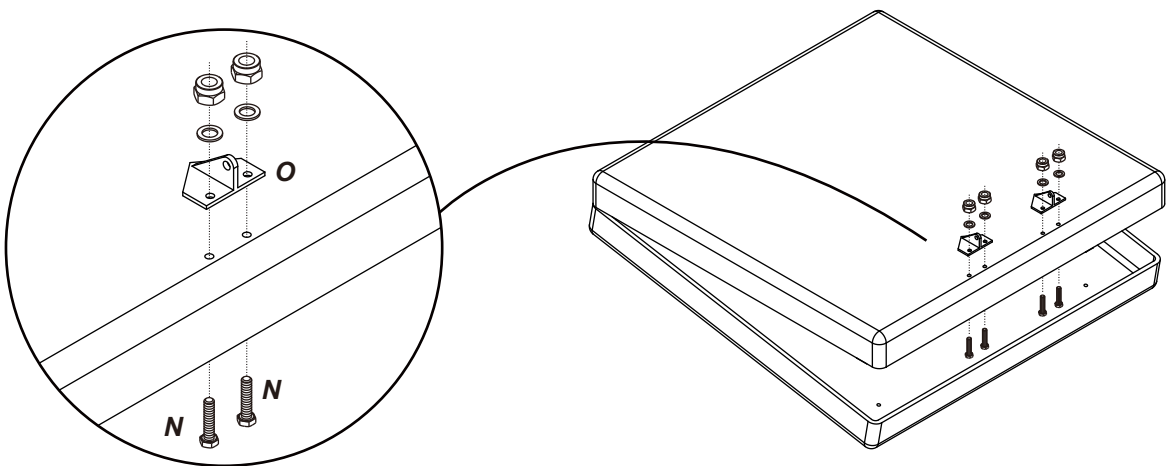
1



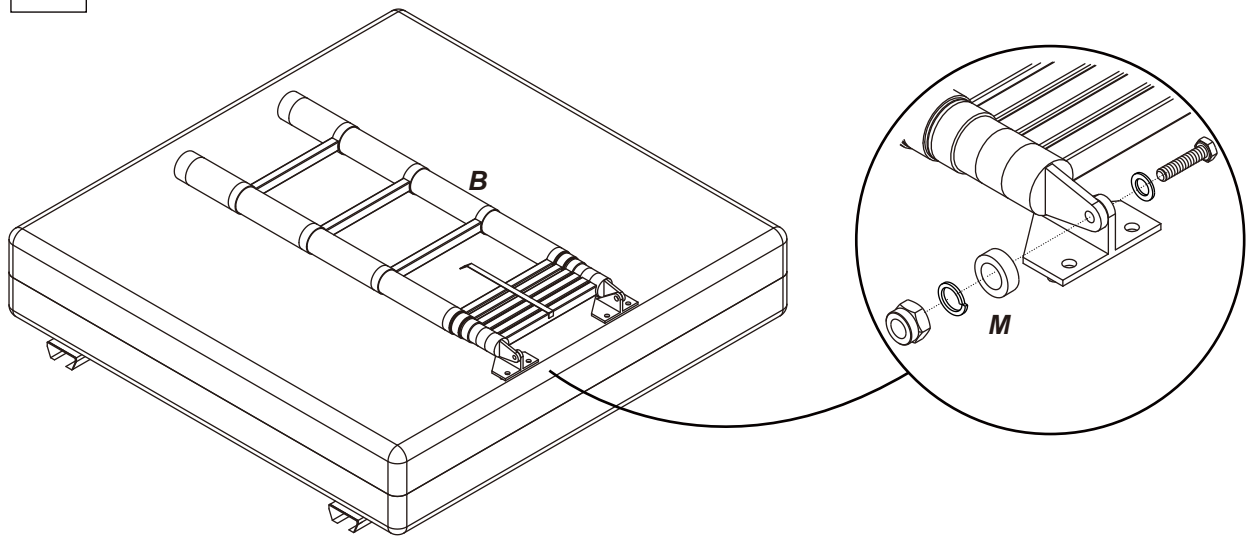
2



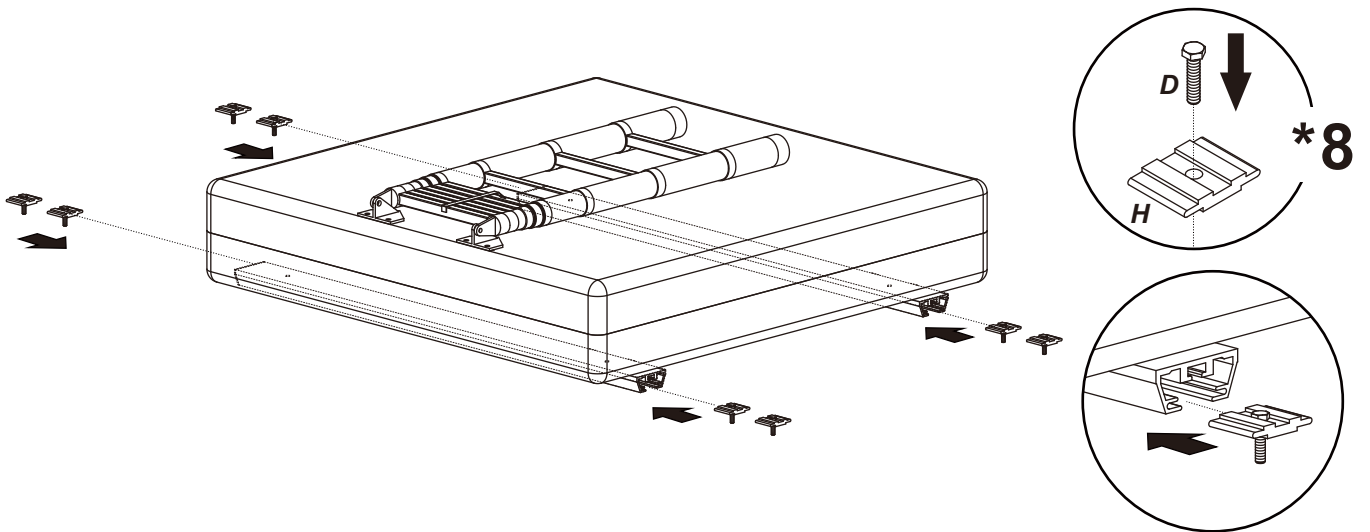
3



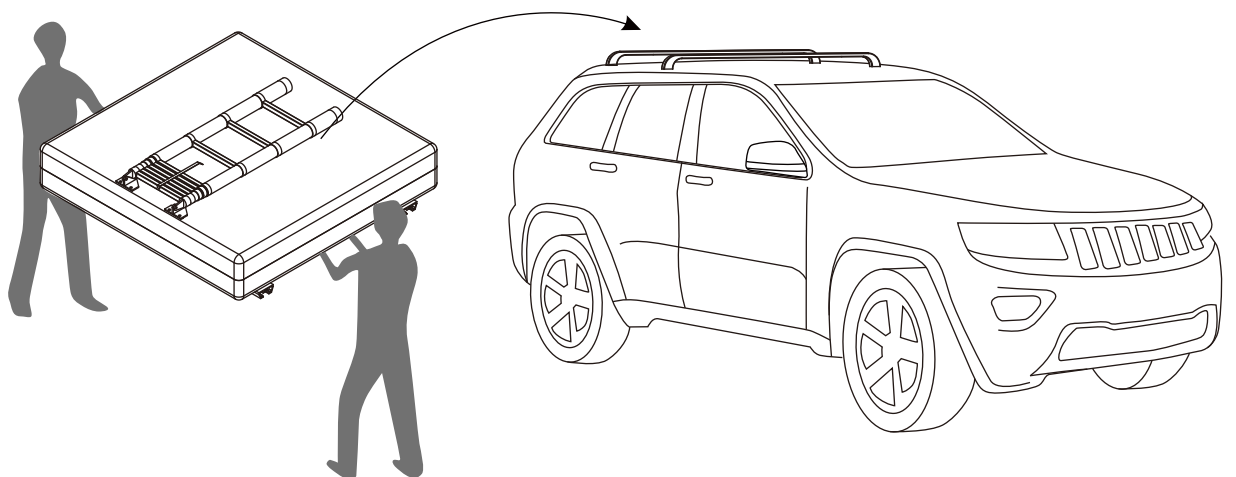
4



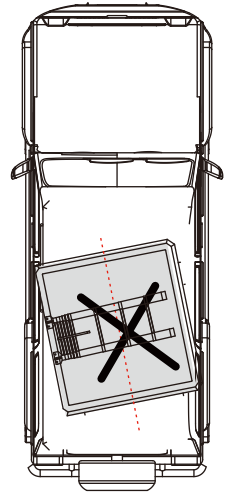
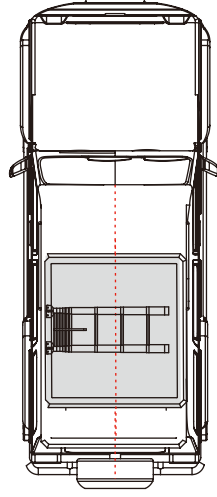
5



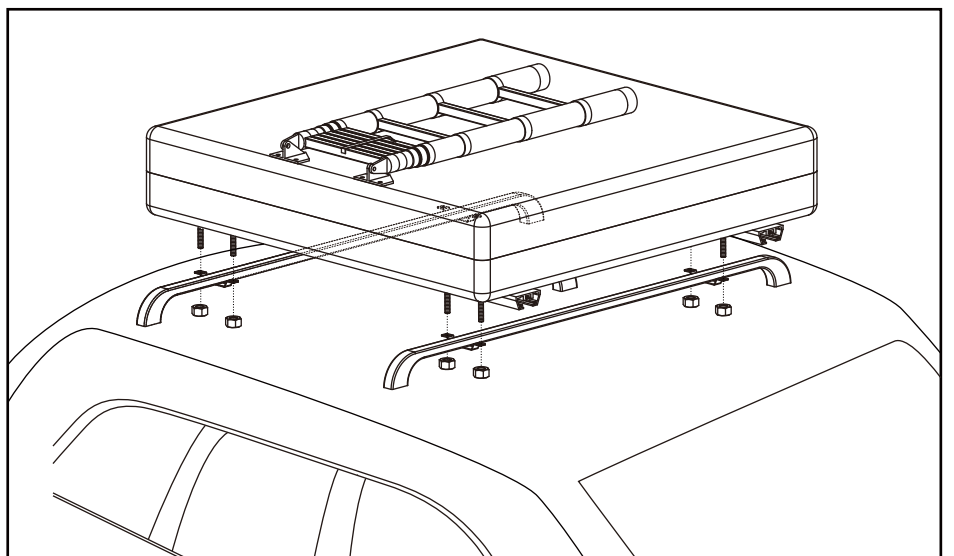
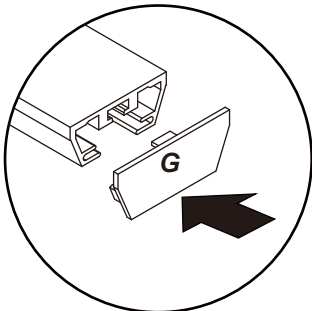
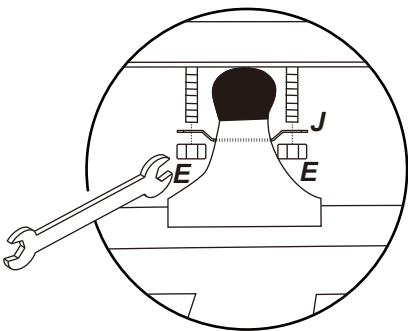
6



7



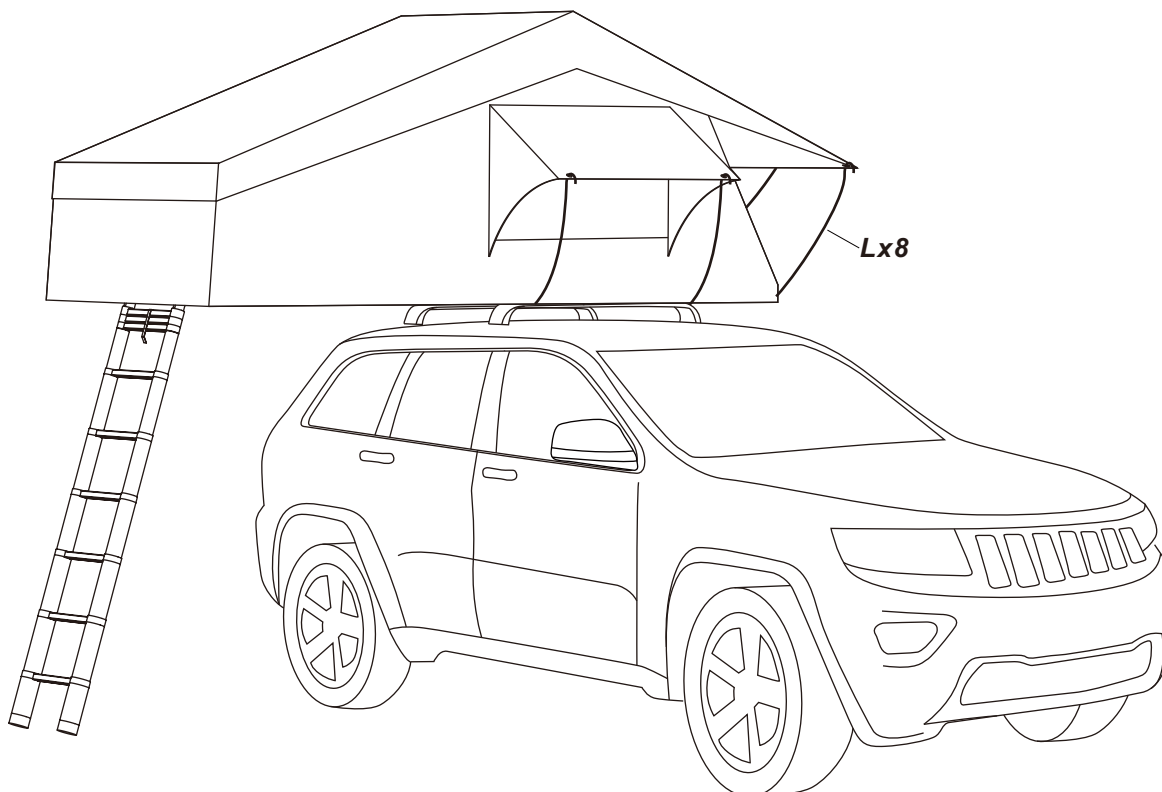
8



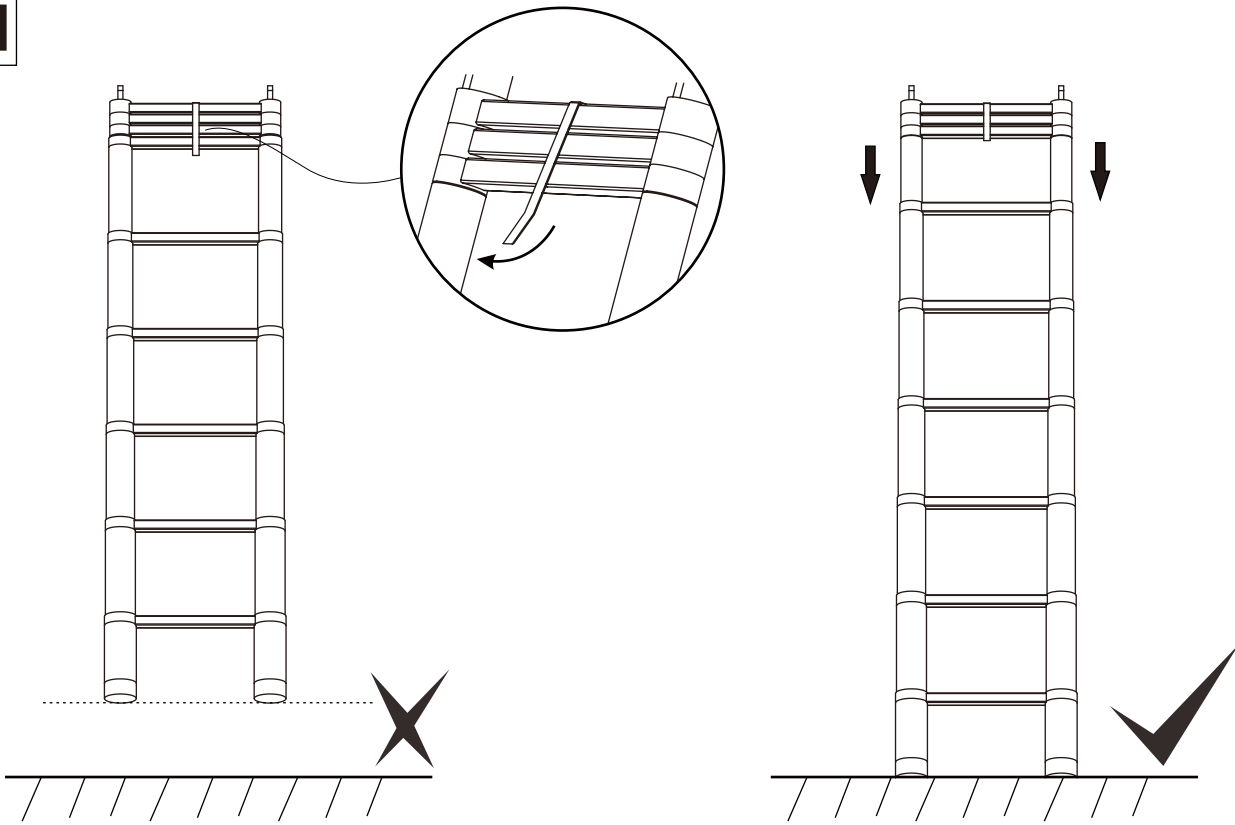
9



10



11



12

