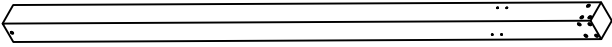
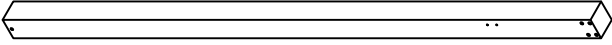
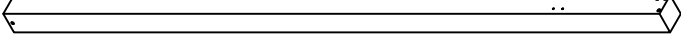
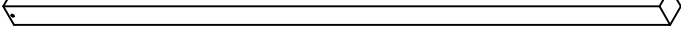
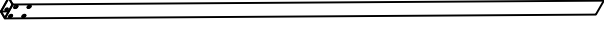
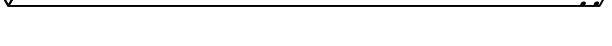

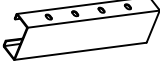
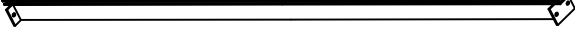
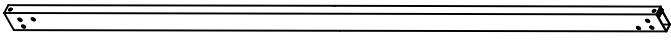
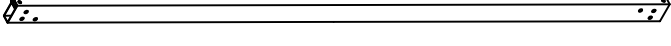
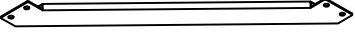





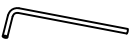

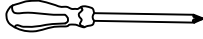
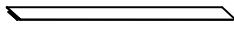
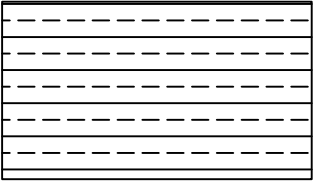
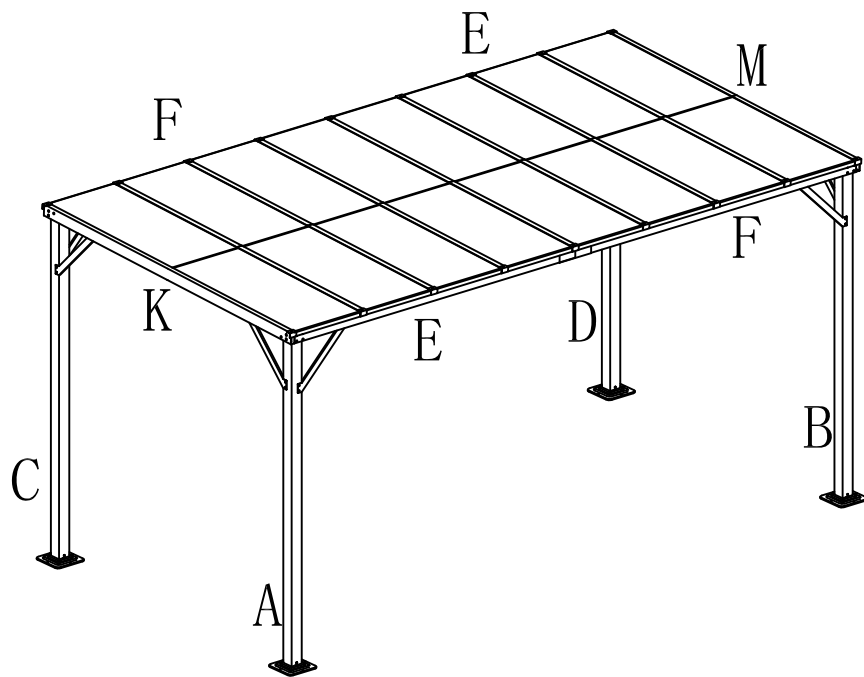


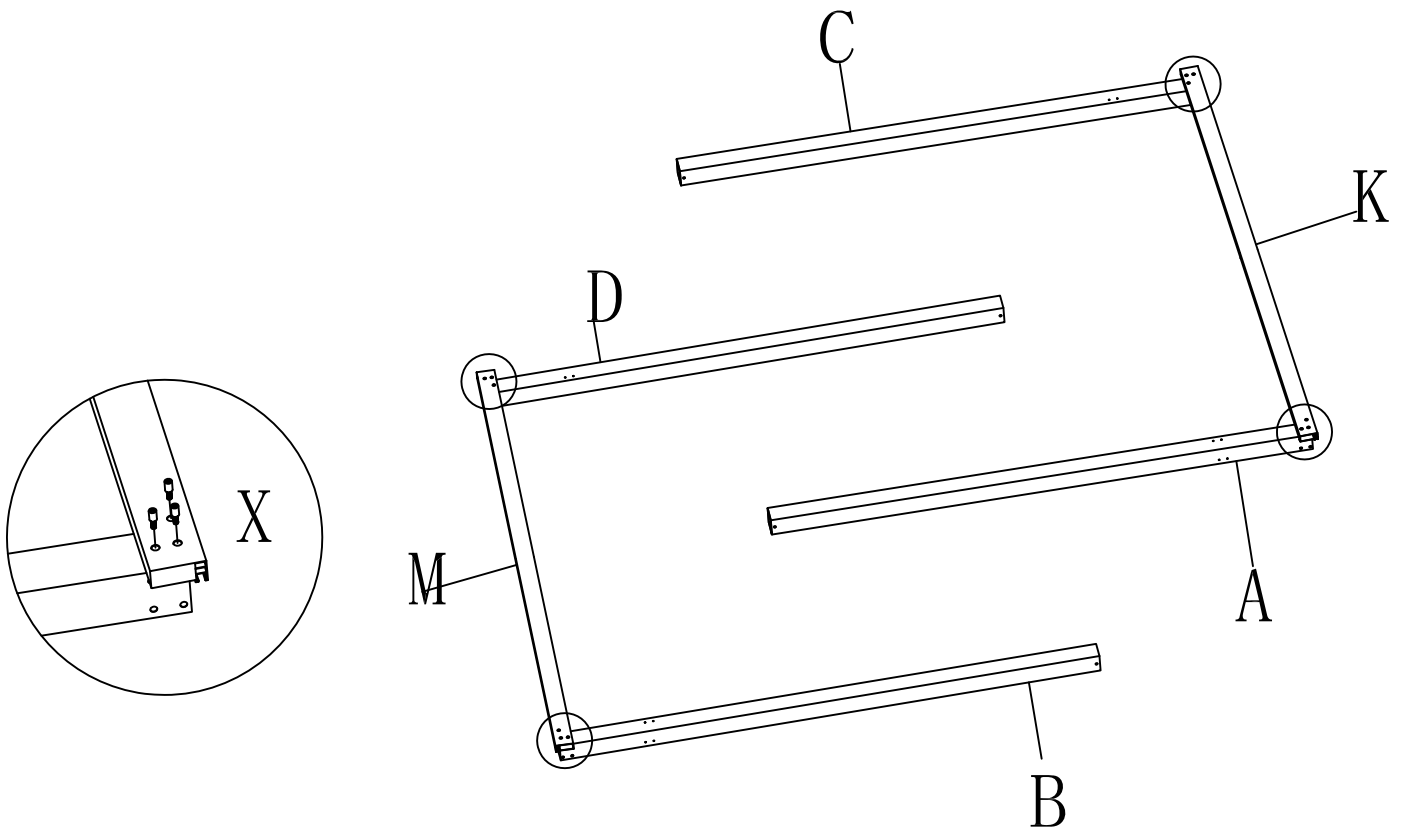
DA025-5

1		A	1
2		B	1
3		C	1
4		D	1
5		E	2
6		F	2
7		G	4
8		I	2
9		J	7
10		K	1
11		M	1
12		N	8
13		O	16
14		P	18

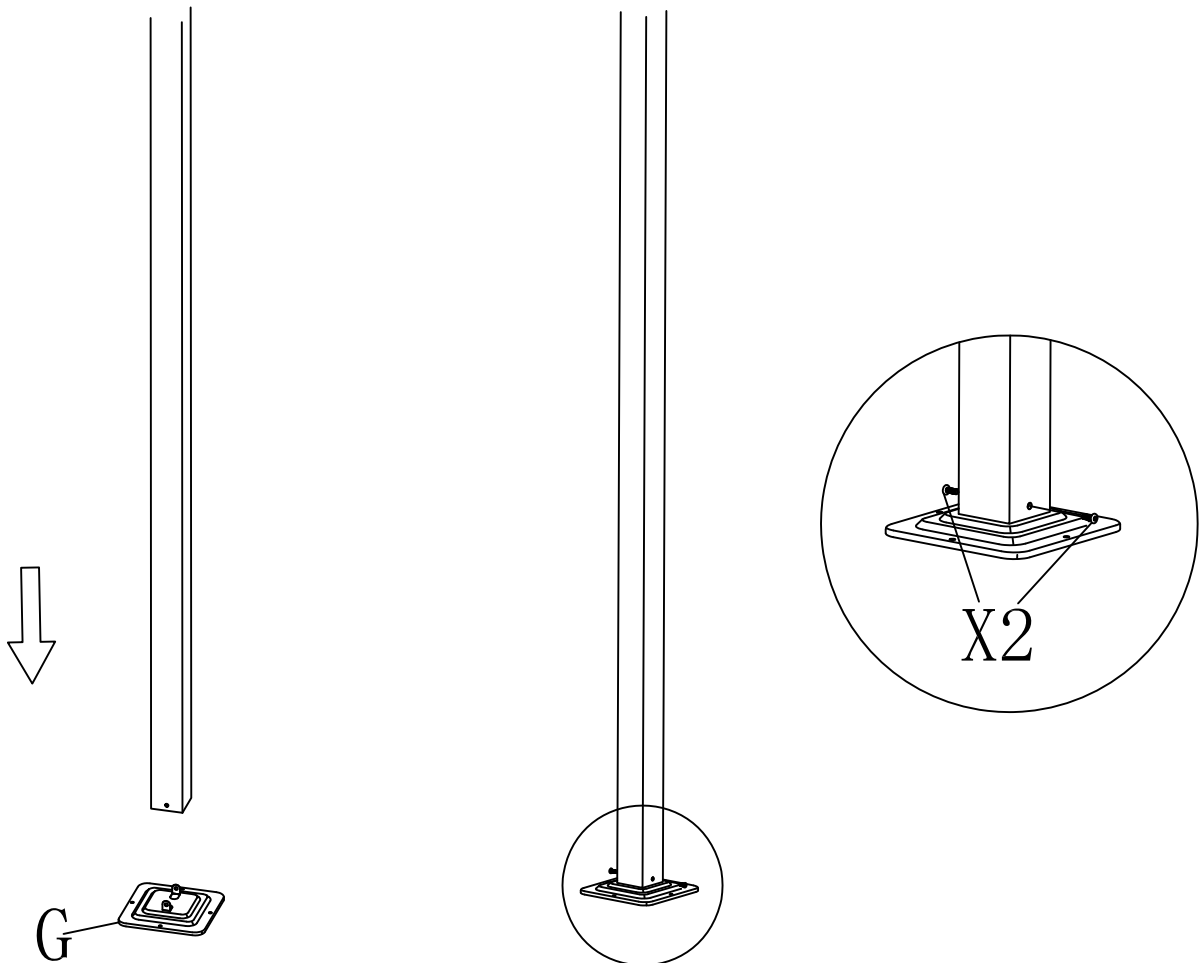
15	 M6*40	X	28
16	 M6*15	X2	52
17	 M5*15	X3	50
18		Y	8
19	 	Z	1
21		Q	8
22		R	16



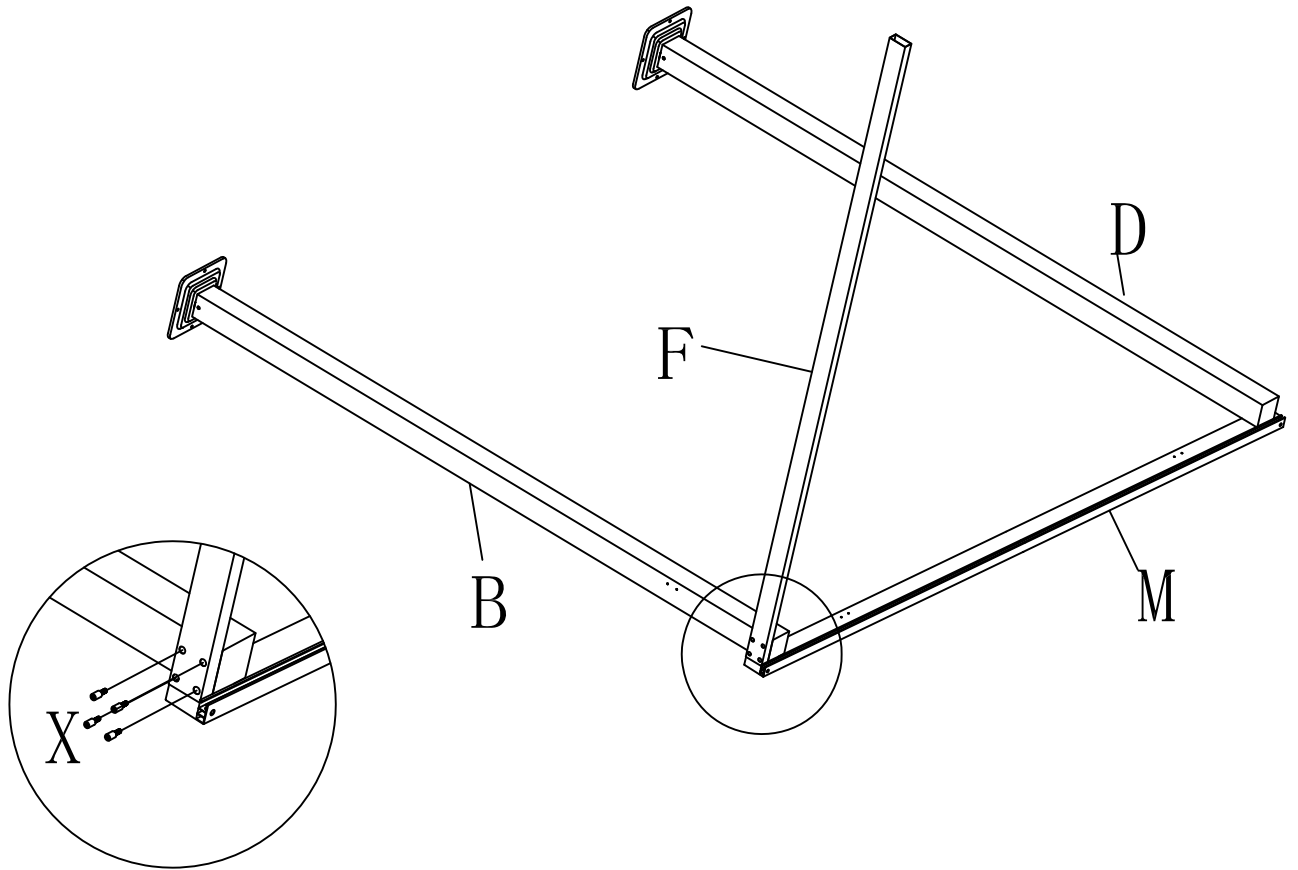
step01



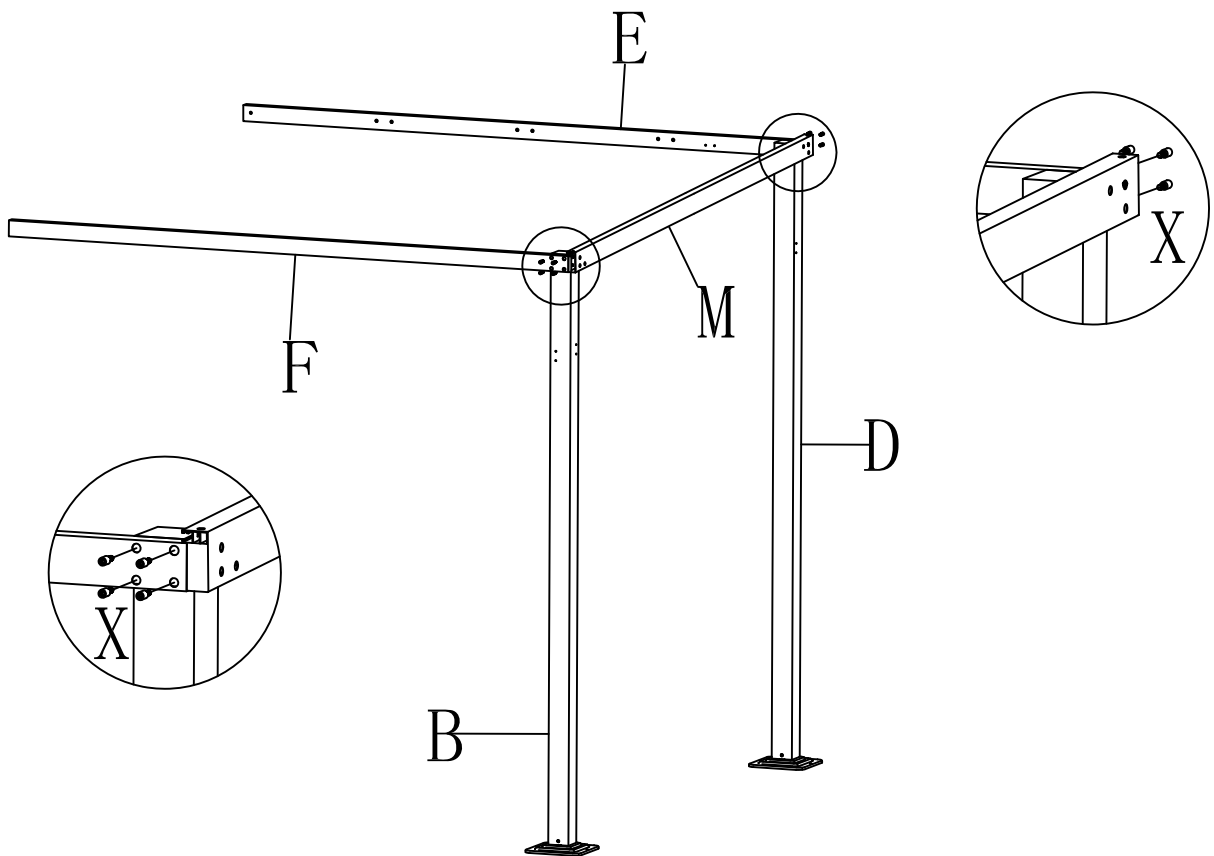
step02



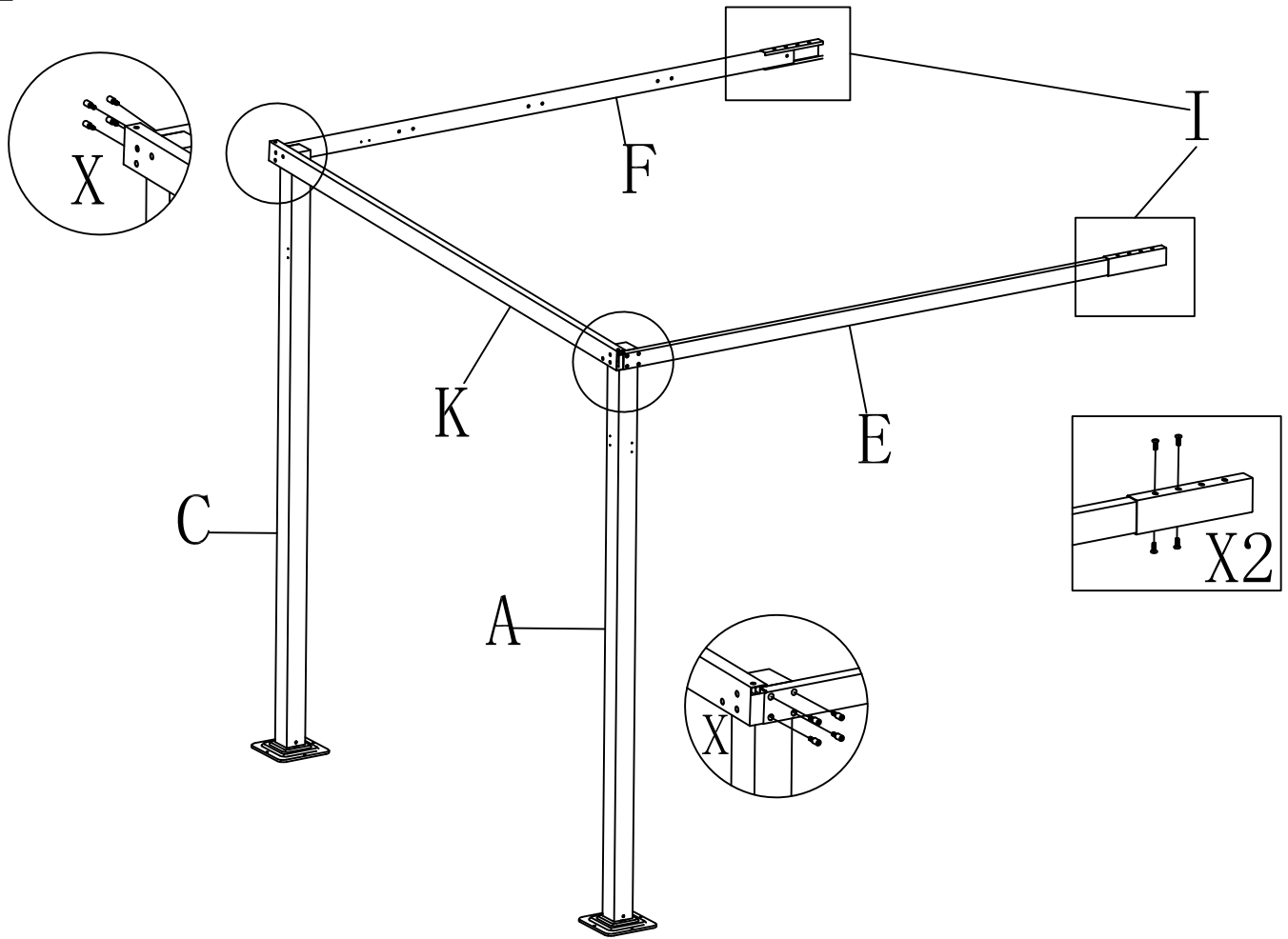
step03



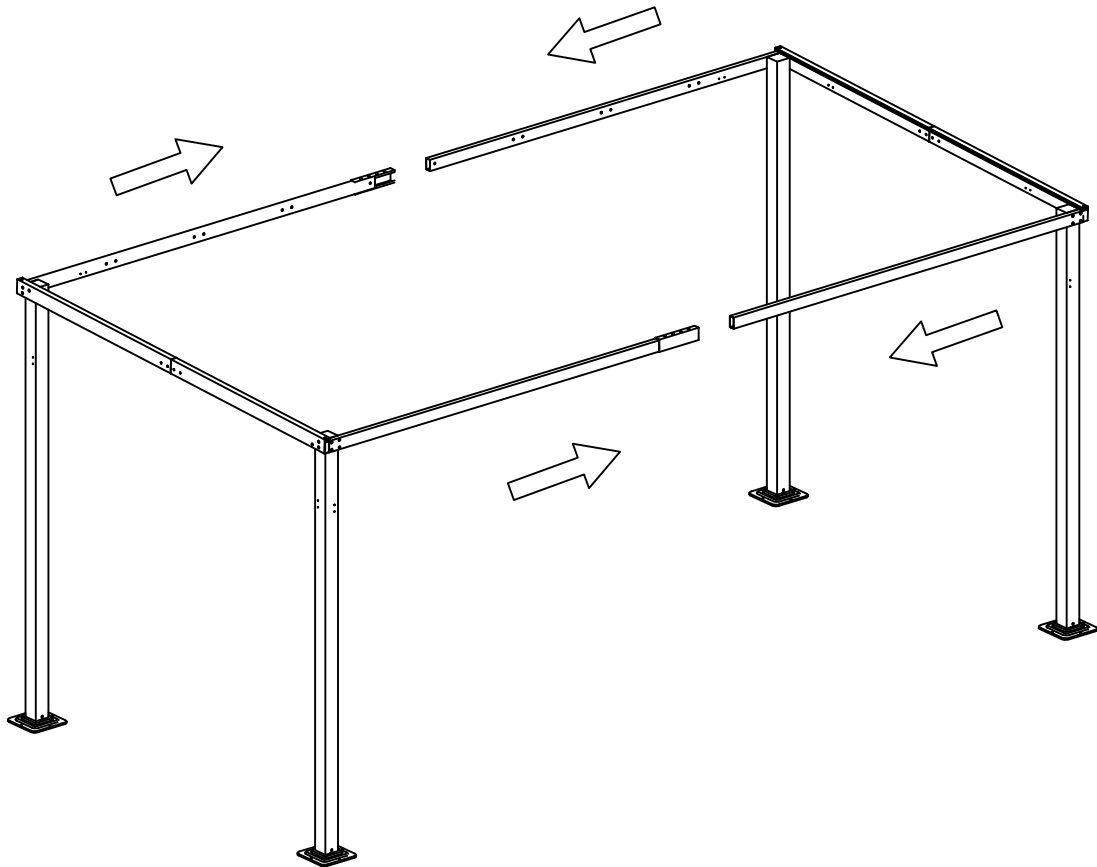
step04



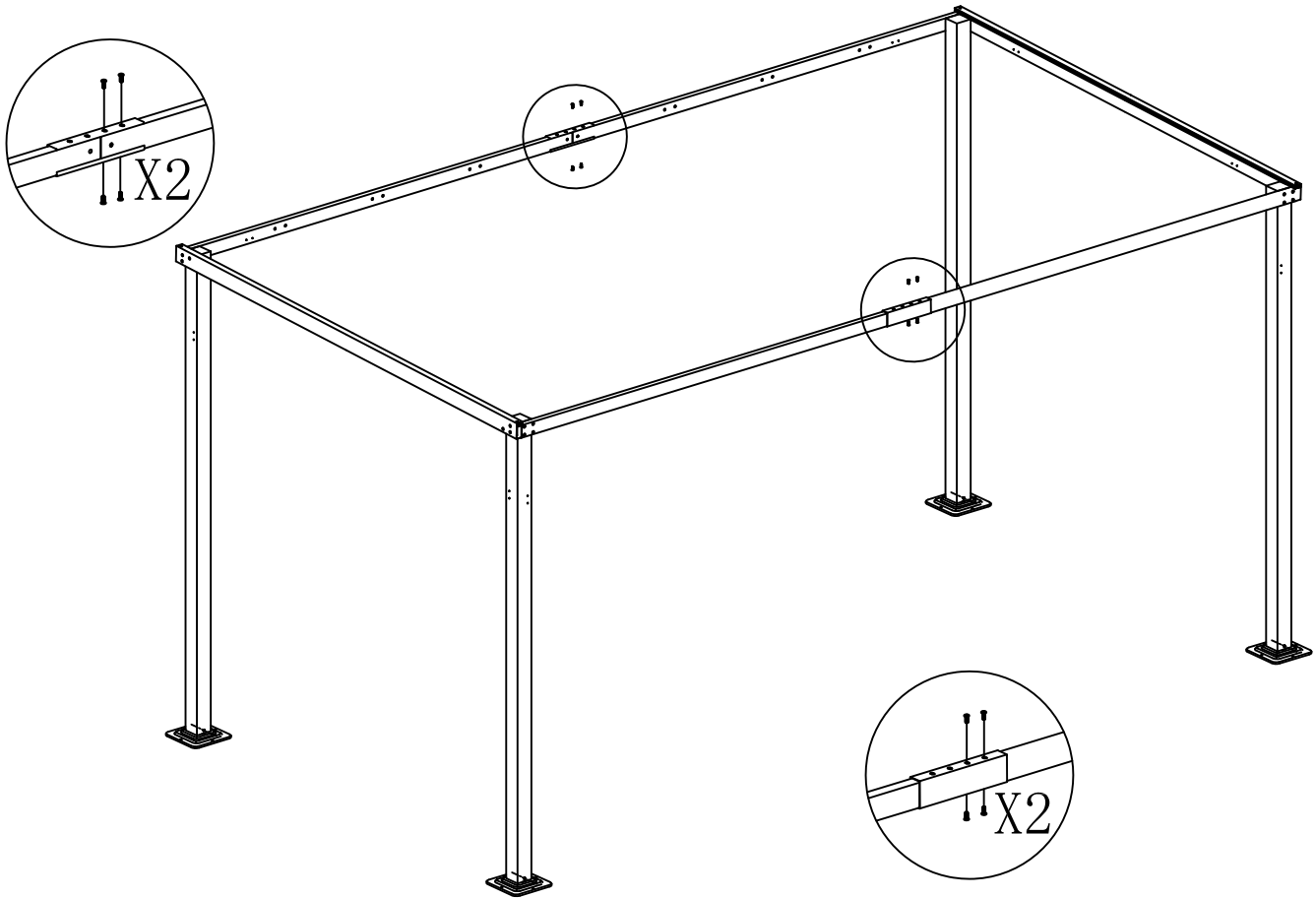
step05



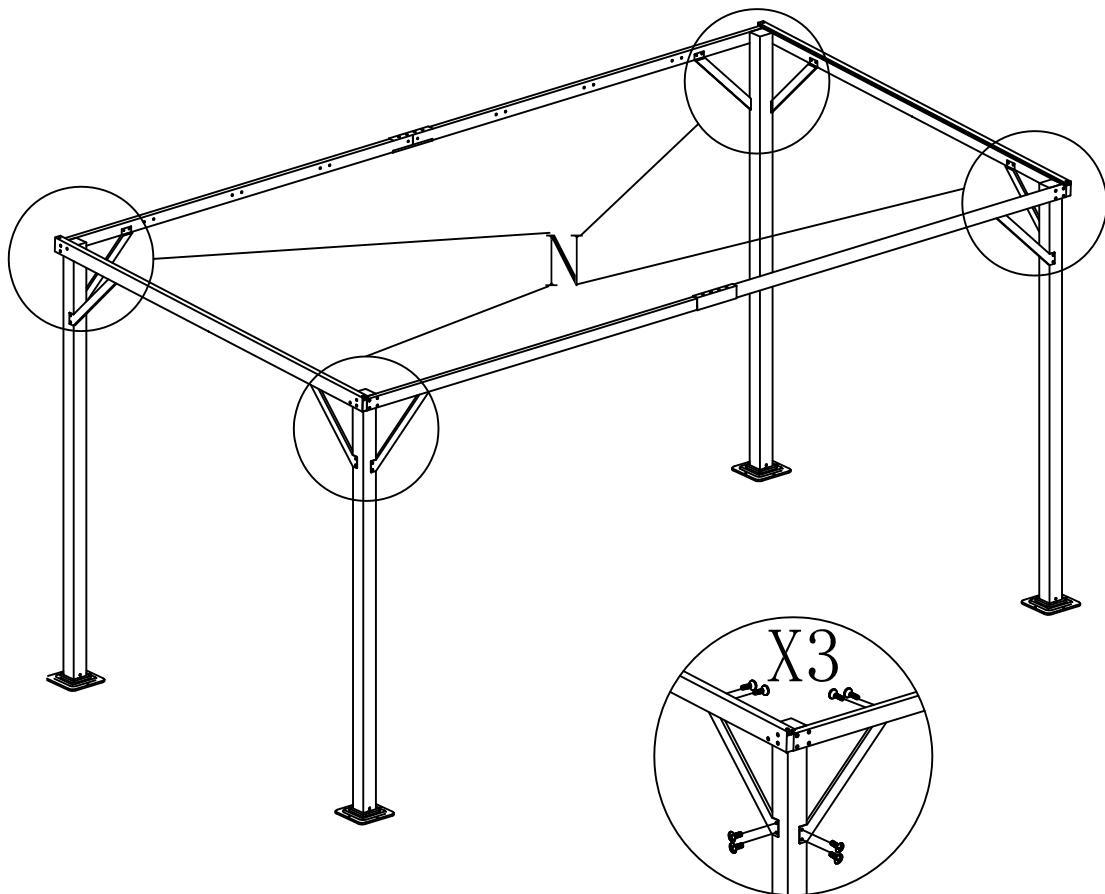
step06



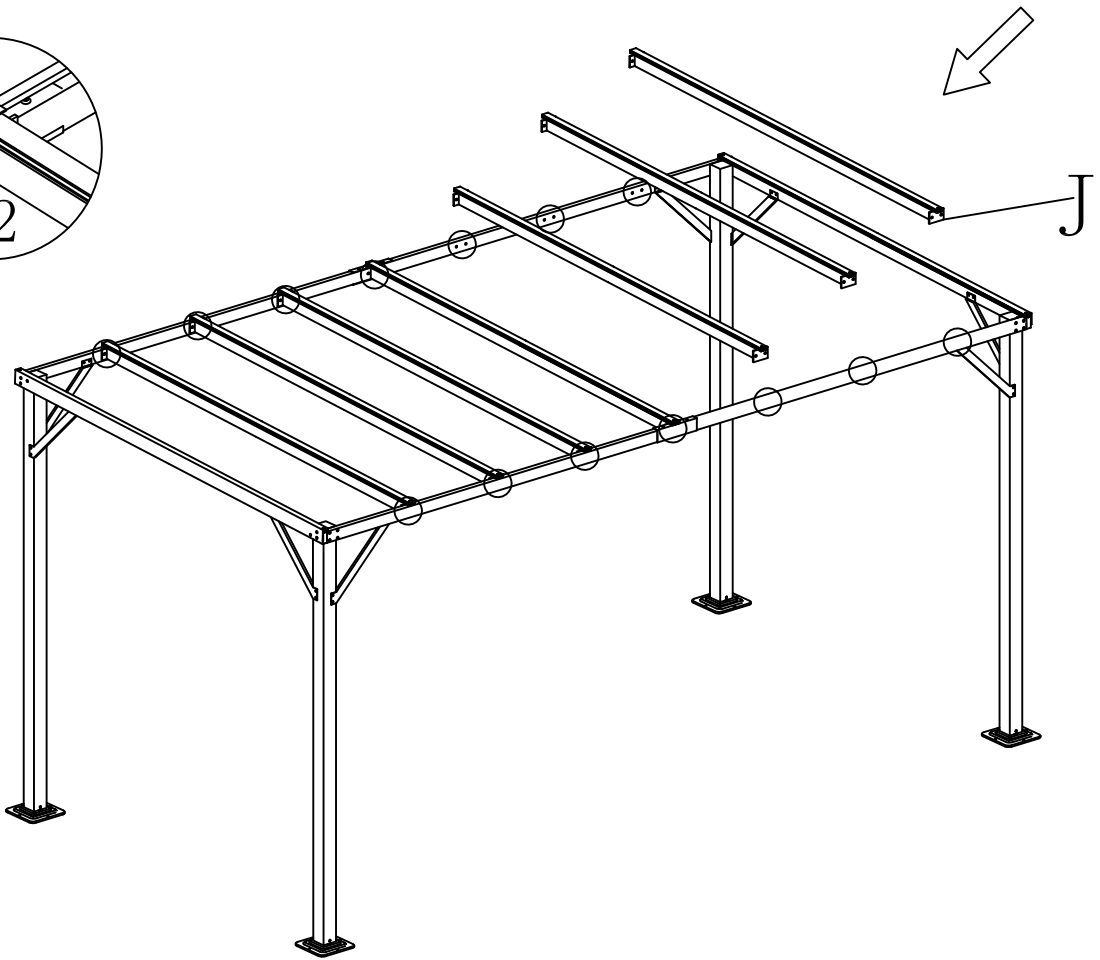
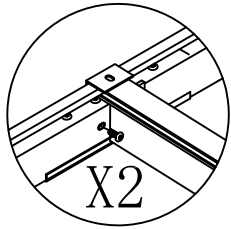
step07



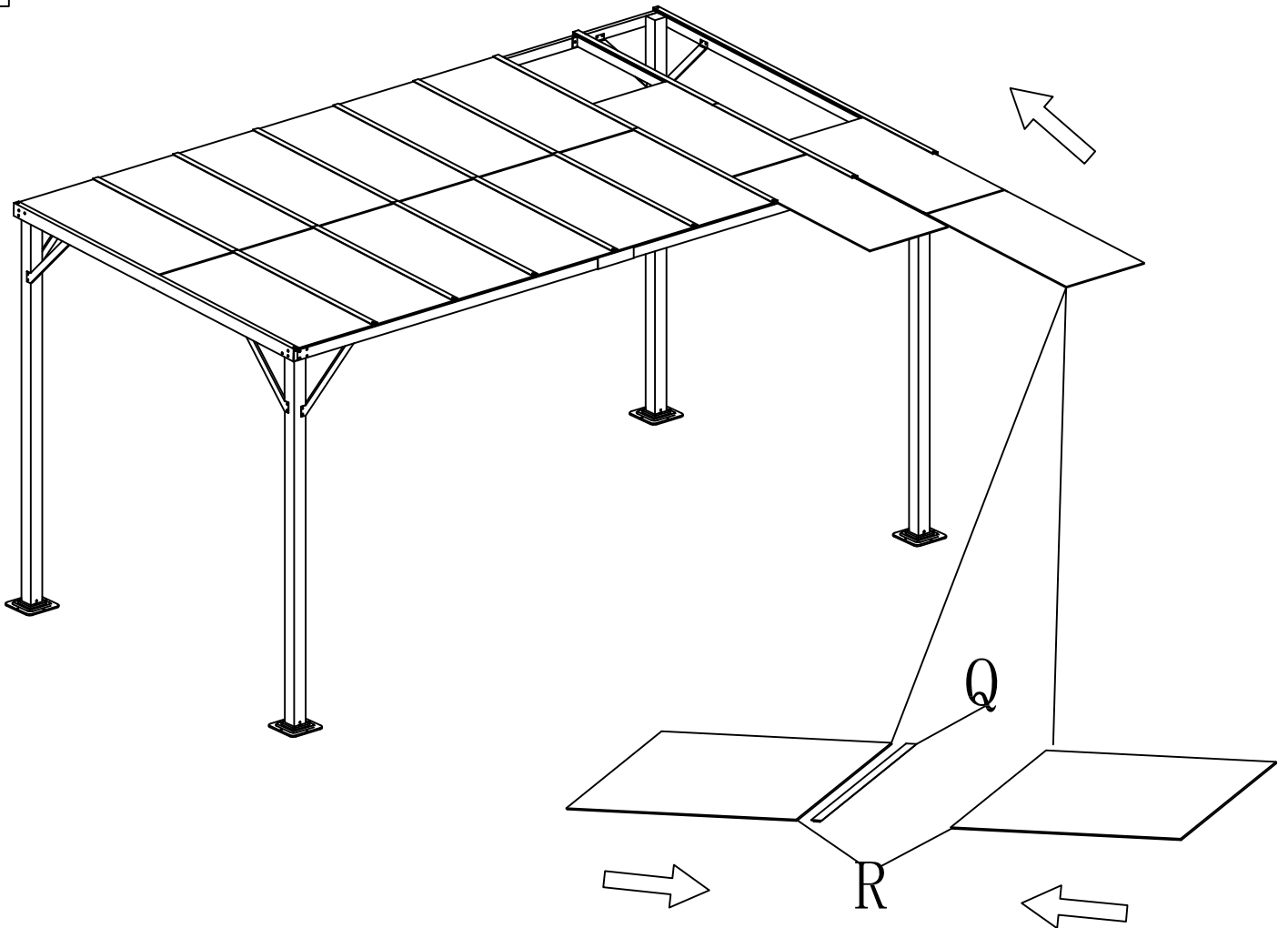
step08



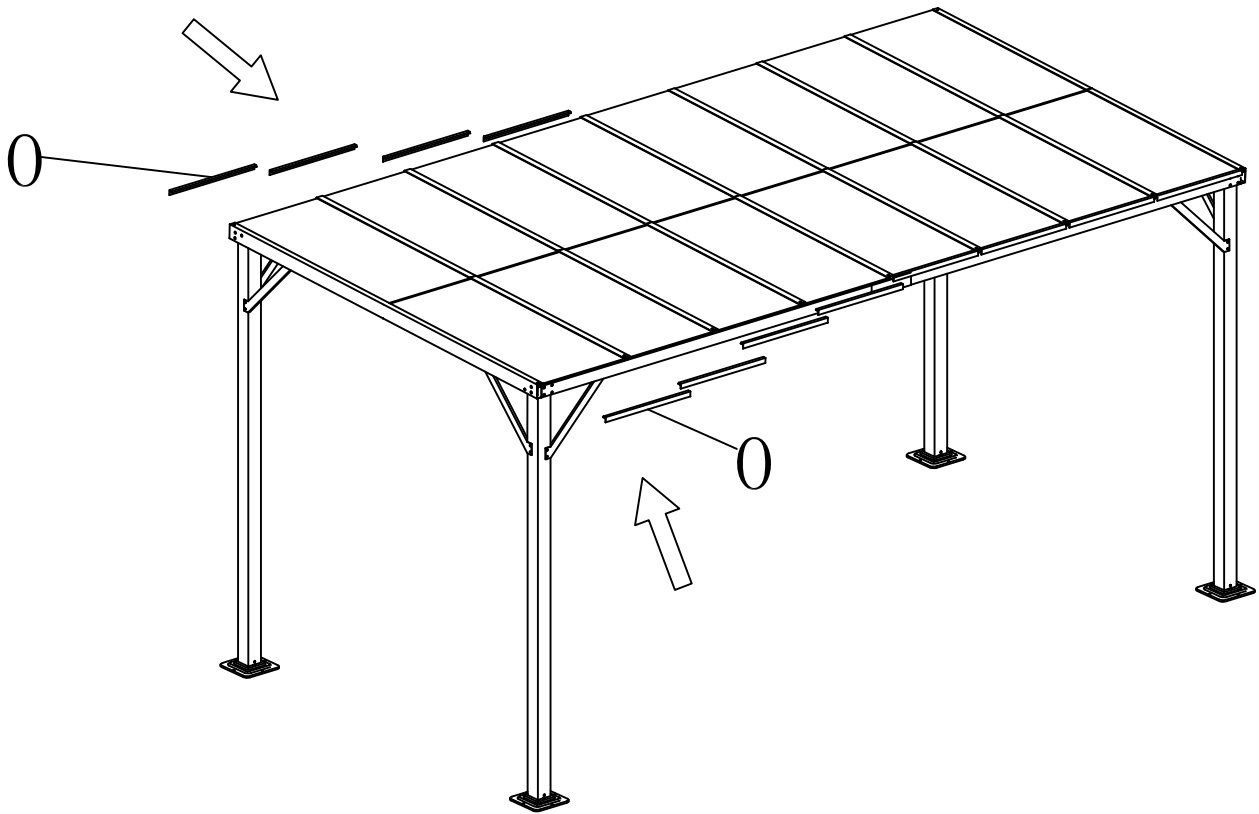
step09



step10



step11



step12

